

# EL<sup>®</sup>MARK

The Brand of Electricity

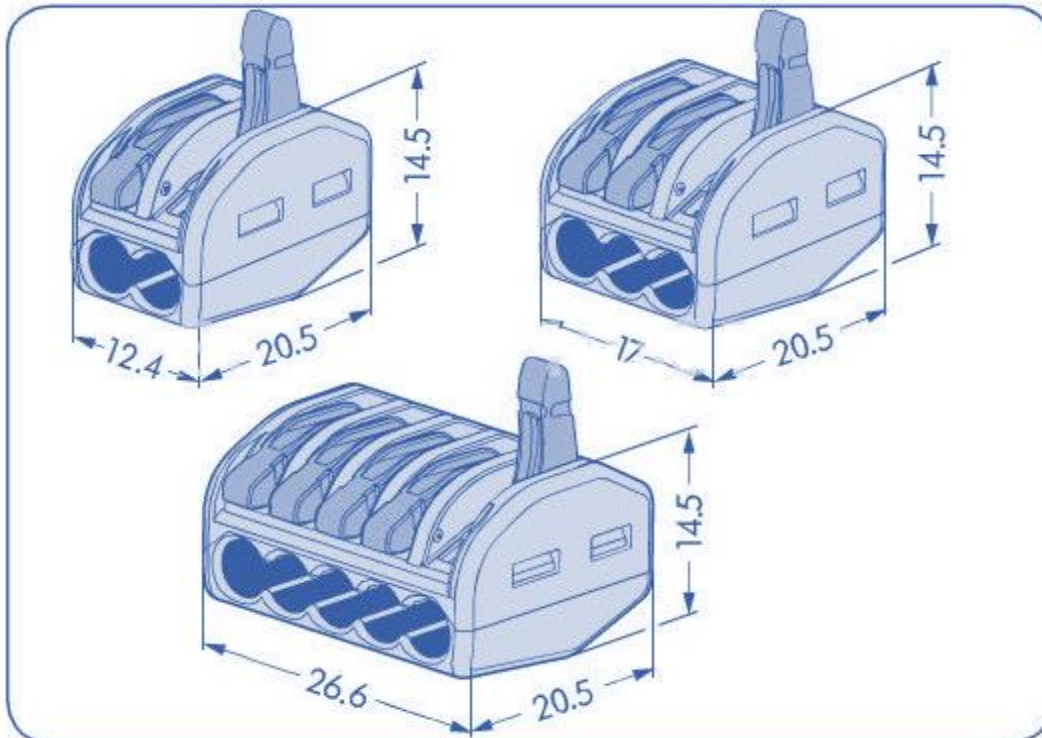
## TERMINAL BLOCKS TBF TYPE



### Product details:

- Rated voltage: 400V
- Rated current: 32A
- Type of wiring: Side-entry wiring
- Available in 2, 3 and 5 poles
- Plastic Part Material: PC/PA66
- Metal Part Material: Stainless Steel/Copper
- Built-in test point
- Wiring Direction: Positive
- Fast and safe connections- plug in.
- A reusable connector
- Perfect for distribution applications
- Easily to operate without tool.

### Dimensions:

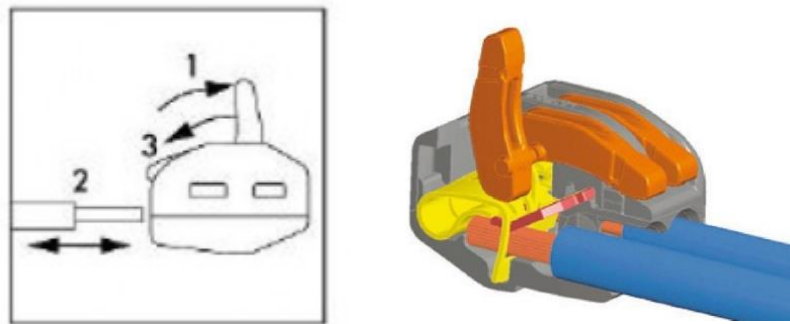


---

### Installation:

---

- Open the clamping unit using the integrated orange lever actuator so that the lever engages and keeps the clamp in its opened position.
- The conductor can now be inserted, then the lever can be returned to its rest position, flush with the connector housing



---

### Variants:

---

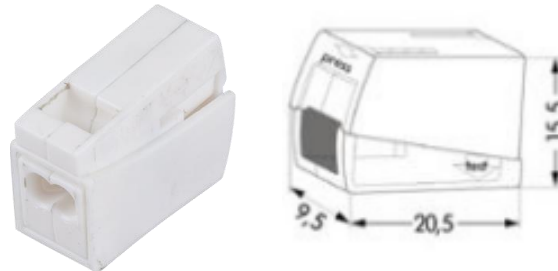


Type	Pieces in a terminal	Section of the conductor (mm <sup>2</sup> )	Rated current (A)	Rated voltage (V)	Catalogue number
two terminal block	2	4 mm <sup>2</sup>	32	400	<b>31021</b>
three terminal block	3	4 mm <sup>2</sup>	32	400	<b>31022</b>
five terminal block	5	4 mm <sup>2</sup>	32	400	<b>31023</b>

---

### Conductor lighting connector:

---



Lighting connectors designed specifically for the application of fitting wall mounting and ceiling luminaries.

- Rated voltage: 400V
- Rated current: 32A
- Termination Method: Spring
- Colour: White
- Installation side cable acceptance, 1.0 – 2.5mm<sup>2</sup> solid pushwire
- Lighting side cable acceptance, 0.5 – 2.5mm<sup>2</sup> solid and fine-stranded (flex) cage clamp
- Reliable and vibration proof interconnections

Type	Pieces in a terminal	Section of the conductor (mm <sup>2</sup> )	Rated current (A)	Rated voltage (V)	Catalogue number
lighting connector	3	1.0-2.5 mm <sup>2</sup> /0.5-2.5 mm <sup>2</sup>	25	400	<b>31024</b>

